

7/24



CENTRAL PRE-MIX CONCRETE CO.

PRESTRESS PRODUCTION AND ENGINEERING DATA

PROJECT NAME: RIVERPARK SQ REPLACEMENT SPANDRELS #3 PROJECT JOB NO. 90-266

ADDRESS: Spokane, WA DATE: 8/31/90

APPROX. DELIVERY DATE: October '90 SALESMAN: Schlerf

CONTRACTOR NAME: Robert B. Goebel General Contractor, Inc.

ADDRESS: P.O. Box 3086 P.O. # 884-1001

Spokane, Wa 99220-3086

JOB SUPERINTENDENT: _____ JOB SITE PHONE: _____

PROJECT MANAGER: Terry Goebel OFFICE PHONE: 535-8877

ARCHITECT

ENGINEER

NAME: _____

ADDRESS: _____

CITY & STATE: _____

PERSON IN CHARGE: _____

PHONE: _____

HAUL BY: _____ ERECTION BY: _____

SPECIAL INSTRUCTIONS/COMMENTS: NO SHIPLOOSE IS INCLUDED. - WE WILL HELP GOEBEL MEASURE

EXISTING SPANDRELS TO INSURE FIT SEALER IS TO BE APPLIED IN THE PLANT TO MATCH

EXISTING.

PRODUCT DESCRIPTION

PRODUCTION BED/LINES

10

1. 20 - 10'0" x 4'0" x 6" Spandrels Apprx 3024 SF

47

2. Engineering (120 Hrs)

3. _____

4. _____

5. _____

6. _____

7. _____

8. _____

9. _____

10. _____

11. _____

12. _____

13. _____

14. _____

PURCHASE ORDER

535-8877
FAX: (509) 535-4588
RO-BT-BG-G295JE



ROBERT B. GOEBEL - General Contractor, Inc.

E. 1800 TRENT

P.O. BOX 3086

SPOKANE, WASHINGTON 99220-3086

TO Central Pre-Mix
Prestress Division
P.O. Box 3366
Spokane, WA 99220

SHIP TO
Riverpark Square
218 N. Post
Spokane, WA 99201

P.O. 884-1001	FOR Job #884	DATE REQUIRED	TERMS	HOW SHIP FOB Jobsite	DATE 8/17/90
------------------	-----------------	---------------	-------	-------------------------	-----------------

ITEM NO.	QUANTITY	PLEASE SUPPLY ITEMS LISTED BELOW	UNIT	PRICE
		Provide 20 ea. precast spandrel panels to exactly replace existing cracked panels. Coordinate with G.C. for panel details, sizes, etc. Provide shop drawings. Use Texas Aggregate to match existing panels. <div style="text-align: right;">AMOUNT: \$48,520.00</div>		

RECEIVED
AUG 20 1990
CPPC

PURCHASE ORDER NOT VALID UNLESS ACKNOWLEDGED BY BOTH PARTIES.

IMPORTANT	
OUR ORDER NUMBER MUST APPEAR ON ALL INVOICES, PACKAGES, ETC. PLEASE NOTIFY US IMMEDIATELY IF YOU ARE UNABLE TO SHIP COMPLETE ORDER BY DATE SPECIFIED.	SELLER'S ACKNOWLEDGEMENT <div style="text-align: center;"> TERRY J. GOEBEL PURCHASING AGENT </div>



PRELIM. DATE
OCT 11 1990

APPROVED DATE
NOV 11 1990

LATEST REV.

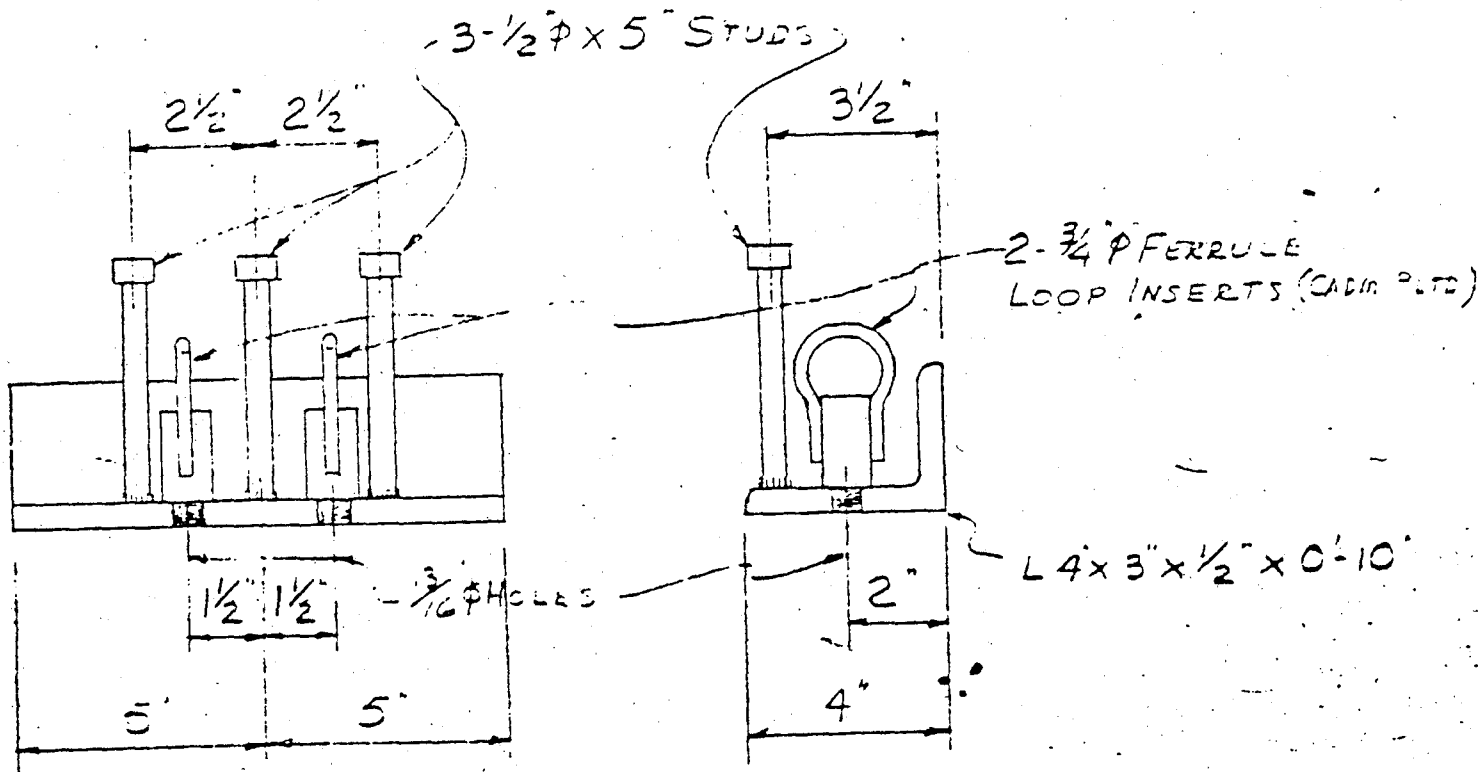
JOB NO. 888-972

RIVER PARK SQUARE

SHEET NO. 3



5/88 JJC



APPROVED FOR CONSTRUCTION
OCT 15 1990

10-972-31

40-REQ'D

MARK	QTY.	SIZE		LENGTH	TYPE	PIECE DESCRIPTION							10-3,8,10 13,14,16, 18,20 (8)	10-1,2,5,12, 17,4,6,7,9, 19 (10)	10-11 (1)	10-15 (1)					
		DEF	PN			DIMENSIONS															
						A	B	C	D	E	F	G									
6001	200	6		6-1 ³ / ₄	34	1-8 ¹ / ₂	2-2 ³ / ₄	2-2 ¹ / ₂	1-5				10	80	10	100	11		9		
	20	6		8-5	—										2	20					
	20	6		9-6	—								4	32	2	20					
	40	4		9-6	—								5	40	4	40					
	10	4		8-5	—										1	10					
	8	6		10-6													4		4		
	3	6		8-11													4		4		
	10	4		10-6													5		5		
	10	4		8-11													5		5		
						PIECE WEIGHT															
						TOTAL PIECES WEIGHT															

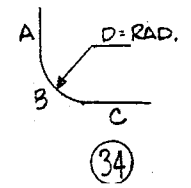
APPROVED FOR CONSTRUCTION

OCT 15 1990

CENTRAL PRE-MIX CONCRETE CO.—PRESTRESS DIVISION
 N 922 CARNAHAN SPOKANE, WASHINGTON
 Reinforcing List Job Number 90-266 Sheet of
 Date 9-28-90 By T.GEE Chkd. By Drwg. No.
 Material For: SPANDREL PANEL
 Job Title: RIVER PARK SOLID R.F.

NOTES:
 1. "ALL REINFORCING BARS TO BE ASTM A615 GRADE 60, EXCEPT #3 TO BE ASTM A615 GRADE 40."
 2. ALL DIMENSIONS ARE OUT TO OUT OF BARS.
 3. ▲ = SHIP LOOSE
 PRELIM ISSUED: OCT 03 1990

TOTAL WEIGHT PIECES



(34)

PRODUCT		CODE	PIECE DESCRIPTION														
MARK	QTY.	REMARKS or DESCRIPTIONS		10-1/10-20	(20)												
15-B16-4	120	3/4" ϕ COIL THD. LOOP INSERT x 0'-6" (ELECTRO PLATED)		6	120												
10-206-5	40	L4' x 3' x 1/2" x 0'-10" W / (2) 3/4" ϕ STD. THD. INSERTS & (3) 1/2" ϕ x 0'-5" H.A.S.		2	40												
	20	3" ϕ SLEEVE x 0'-5"		1	20												

APPROVED FOR CONSTRUCTION
OCT 15 1990

CENTRAL PRE-MIX CONCRETE CO.—PRESTRESS DIVISION
N 922 CARNAHAN SPOKANE, WASHINGTON

Bill of Materials	Job Number 90-266	Sheet
Date 9-28-90	By T.GEE	Chkd. By
Material For: SPANREL PANELS		
Job Title: RIVER PARK SQUARE		

PRELIM ISSUED : OCT 03 1990
APPROVED ISSUED:

Entered 10/10/10

JOB NO. 90-266 NAME RIVER PARK SQUARE PRODUCT DATA

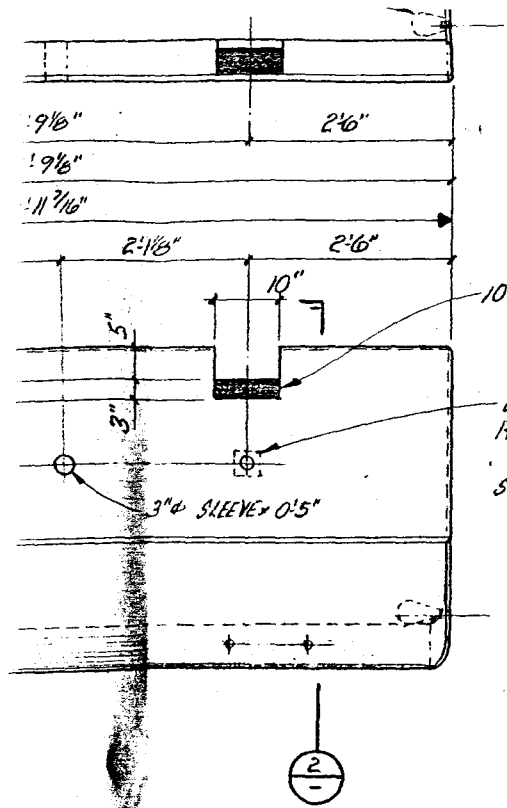
SHT. NO. 1 OF

MARK NO.	QTY.	IN FEET			SQ. FT. (S.F.)	WET FINISH AREA IN S.F.	DRY FINISH AREA IN S.F.		FORM AREA IN S.F.	CONCRETE @ PCF		SAW CUT IN L.F.		DWG NO.
		LENGTH	WIDTH	DEPTH			INTERIOR	EXTERIOR		WEIGHT IN LBS	C.Y.	CROSS	RIP	
10-1	1	9.76	4.0	0.5	71.09	4.06			143.80	4,875	1.16			
10-2	1	"	"	"	"	"			"	4,700	1.12			
10-3	1	"	"	"	"	"			"	4,875	1.16			
10-4	1	"	"	"	"	"			"	4,700	1.12			
10-5	1	"	"	"	"	"			"	4,700	1.12			
10-6	1	"	"	"	"	"			"	4,700	1.12			
10-7	1	"	"	"	"	"			"	4,700	1.12			
10-8	1	"	"	"	"	"			"	4,875	1.16			
10-9	1	"	"	"	"	"			"	4,700	1.12			
10-10	1	"	"	"	"	"			"	4,875	1.16			
10-11	1	10.77	4.0	0.50	78.48	4.49			158.08	5,380	1.29			
10-12	1	9.76	4.0	0.50	71.09	4.06			143.80	4,700	1.12			
10-13	1	"	"	"	"	"			"	4,875	1.16			
10-14	1	"	"	"	"	"			"	4,875	1.16			
10-15	1	9.19	4.0	0.50	66.96	3.83			135.40	4,590	1.10			
10-16	1	9.76	4.0	0.50	71.09	4.06			143.80	4,875	1.16			
10-17	1	"	"	"	"	"			"	4,700	1.12			

APPROVED FOR CONSTRUCTION
 OCT 15 1990

PRELIM. ISSUED:

APPROVED ISSUED:



10-972-S1 (NF)
 2" Ø HOLE x 0'3" 2/2' DP
 RECESS x 5" SQ. (FF)
 2-PIECES
 SEE DETAIL

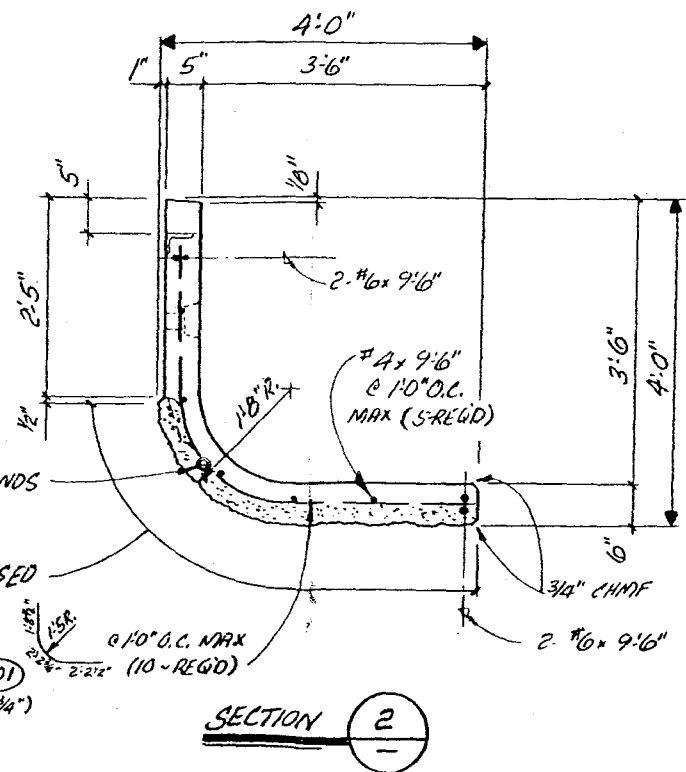


15-B/16-A @ ENDS

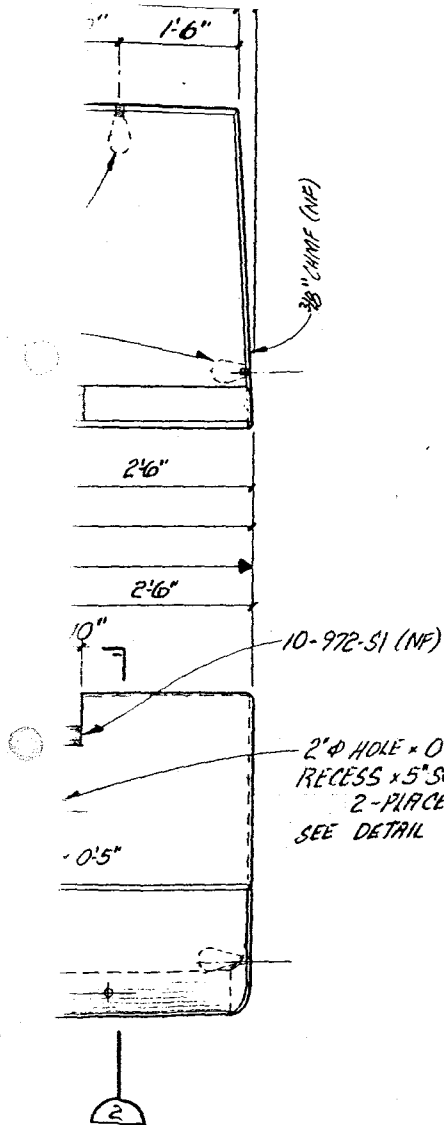
EXPOSED

#6
 (6001)
 (6'1/4")
 2'-2 1/2" (10-REGD)
 @ 1'0" O.C. MAX

SECTION 2



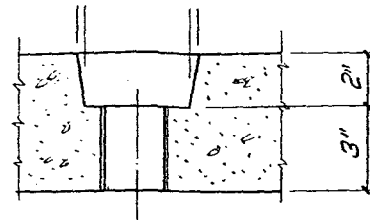
(53)
 IT: 4875 1.16 C.Y.



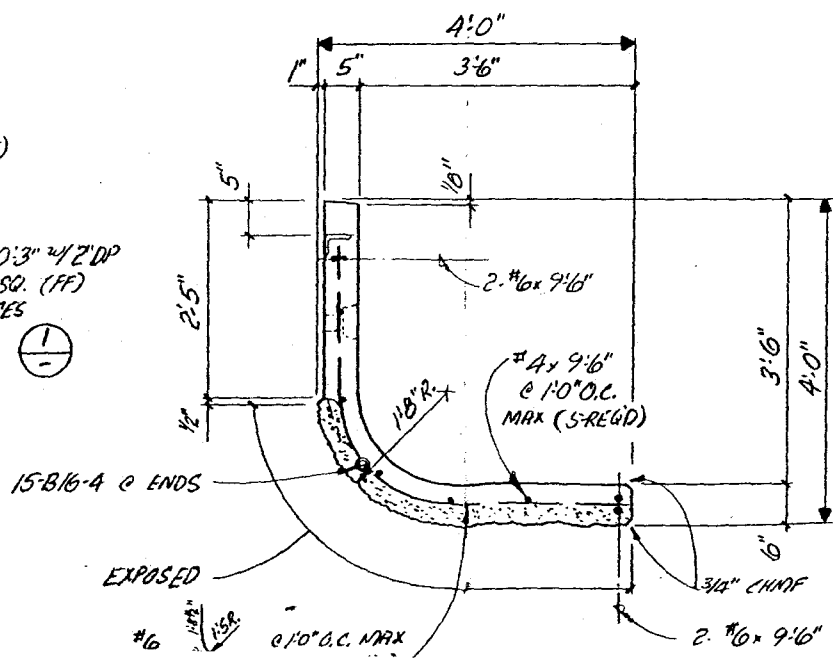
10-972-S1 (NF)

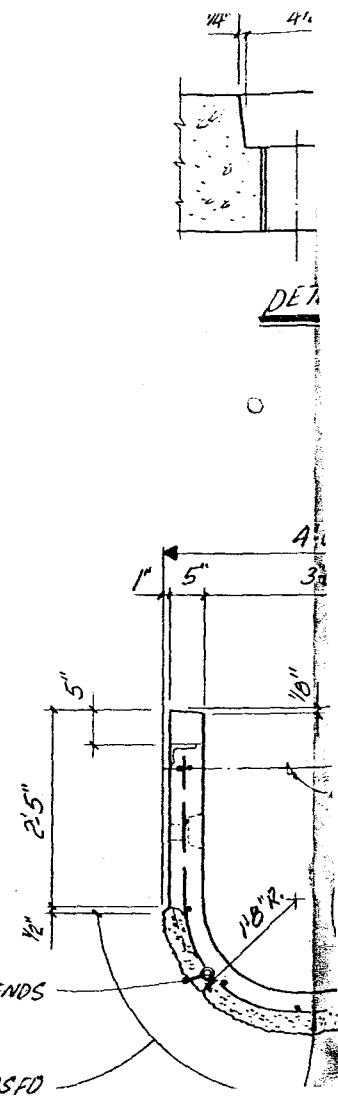
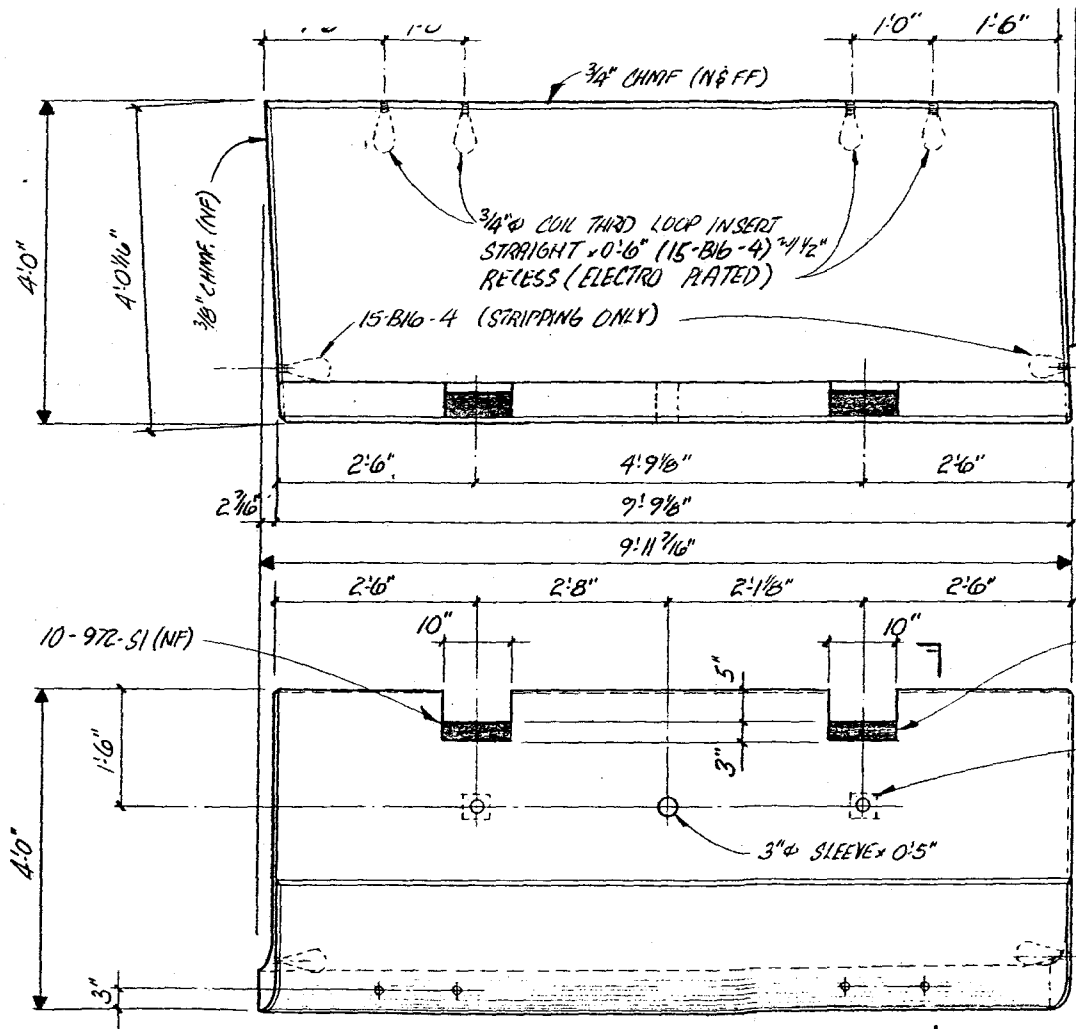
2" Ø HOLE x 0'3" 2 1/2" DP
RECESS x 5" SQ. (FF)
2-PLACES
SEE DETAIL

1



DETAIL 1





DETA